



PART A INVITATION TO BID

THE SUCCESSFUL BIDDER WILL BE REQUIRED TO FILL IN AND SIGN A WRITTEN CONTRACT FORM (WBD7).					
BID NUMBER:	WCNCB 04/04/2022	CLOSING DATE:	29/04/2022	CLOSING TIME:	11H00 AM
DESCRIPTION	CapeNature seeks a skilled contractor with a CIDB grading of 2GB or greater to undertake construction of a Nutec Guard Hut; Composting Toilets and two (2) viewing decks at Geelkrans Nature Reserve, as a Turnkey Solution.				

BID RESPONSE DOCUMENTS MAY BE DEPOSITED IN THE BID BOX
SITUATED AT

CapeNature Head Office PGWC Shared Services Centre 3rd Floor Cnr Bosduif & Volstruis Streets Bridgetown 7764	Please note that a compulsory briefing session will be conducted at Geelkrans Nature Reserve on Wednesday 6 April 2022 at 11:00.
Tenders Email Address: tenders@capenature.co.za	Geelkrans Nature Reserve is located on the outskirts of Still Bay in the Eden District of the Western Cape. The reserve is accessible with a typical vehicle. GPS Co-ordinates: 34°21'55.5"S 21°27'43.9"E

SUPPLIER INFORMATION

NAME OF BIDDER				
POSTAL ADDRESS				
STREET ADDRESS				
TELEPHONE NUMBER	CODE		NUMBER	
CELLPHONE NUMBER				
FACSIMILE NUMBER	CODE		NUMBER	
E-MAIL ADDRESS				
VAT REGISTRATION NUMBER				

	WCSD REGISTRATION No.		AND	CSD No:	
B-BBEE STATUS LEVEL VERIFICATION CERTIFICATE [TICK APPLICABLE BOX]	<input type="checkbox"/> Yes <input type="checkbox"/> No			B-BBEE STATUS LEVEL SWORN AFFIDAVIT	<input type="checkbox"/> Yes <input type="checkbox"/> No
IF YES, WHO WAS THE CERTIFICATE ISSUED BY?	<input type="checkbox"/>	A VERIFICATION AGENCY ACCREDITED BY THE SOUTH AFRICAN ACCREDITATION SYSTEM (SANAS)			
	<input type="checkbox"/>	A REGISTERED AUDITOR			
[A B-BBEE STATUS LEVEL VERIFICATION CERTIFICATE/SWORN AFFIDAVIT (FOR EMEs& QSEs) MUST BE SUBMITTED TOGETHER WITH A COMPLETED 6.1 IN ORDER TO QUALIFY FOR PREFERENCE POINTS FOR B-BBEE]					
ARE YOU THE ACCREDITED REPRESENTATIVE IN SOUTH AFRICA FOR THE GOODS /SERVICES /WORKS OFFERED?	<input type="checkbox"/> Yes <input type="checkbox"/> No [IF YES ENCLOSE PROOF]		ARE YOU A FOREIGN BASED SUPPLIER FOR THE GOODS /SERVICES /WORKS OFFERED?	<input type="checkbox"/> Yes <input type="checkbox"/> No [IF YES ANSWER PART B:3 BELOW]	
SIGNATURE OF BIDDER		DATE		
CAPACITY UNDER WHICH THIS BID IS SIGNED (Attach proof of authority to sign this bid; e.g. resolution of directors, etc.)					
TOTAL NUMBER OF ITEMS OFFERED			TOTAL BID PRICE (ALL INCLUSIVE)		
BIDDING PROCEDURE ENQUIRIES MAY BE DIRECTED TO:			TECHNICAL INFORMATION MAY BE DIRECTED TO:		
DEPARTMENT/ PUBLIC ENTITY	CapeNature	CONTACT PERSON	Ramese Mathews		
CONTACT PERSON	Imran Brey	TELEPHONE NUMBER	087 087 3175		
TELEPHONE NUMBER	087 087 4103	FACSIMILE NUMBER	N/A		
FACSIMILE NUMBER	NA	E-MAIL ADDRESS	rmathews@capenature.co.za		
E-MAIL ADDRESS	ibrey@capenature.co.za				

PART B TERMS AND CONDITIONS FOR BIDDING

1. BID SUBMISSION:
<p>1.1. BIDS MUST BE DELIVERED BY THE STIPULATED TIME TO THE CORRECT ADDRESS. LATE BIDS WILL NOT BE ACCEPTED FOR CONSIDERATION.</p> <p>1.2. ALL BIDS MUST BE SUBMITTED ON THE OFFICIAL FORMS PROVIDED-(NOT TO BE RE-TYPED)</p> <p>1.3. BIDDERS MUST REGISTER ON THE CENTRAL SUPPLIER DATABASE (CSD) TO UPLOAD MANDATORY INFORMATION NAMELY: (BUSINESS REGISTRATION/ DIRECTORSHIP/ MEMBERSHIP/IDENTITY NUMBERS; TAX COMPLIANCE STATUS; AND BANKING INFORMATION FOR VERIFICATION PURPOSES). B-BBEE CERTIFICATE OR SWORN AFFIDAVIT FOR B-BBEE MUST BE SUBMITTED TO BIDDING INSTITUTION.</p> <p>1.4. THIS BID IS SUBJECT TO THE PREFERENTIAL PROCUREMENT POLICY FRAMEWORK ACT 2000 AND THE PREFERENTIAL PROCUREMENT REGULATIONS, 2017, THE GENERAL CONDITIONS OF CONTRACT (GCC) AND, IF APPLICABLE, ANY OTHER LEGISLATION OR SPECIAL CONDITIONS OF CONTRACT.</p>
2. TAX COMPLIANCE REQUIREMENTS
<p>2.1 BIDDERS MUST ENSURE COMPLIANCE WITH THEIR TAX OBLIGATIONS.</p> <p>2.2 APPLICATION FOR TAX COMPLIANCE STATUS (TCS) MAY ALSO BE MADE VIA E-FILING. IN ORDER TO USE THIS PROVISION, TAXPAYERS WILL NEED TO REGISTER WITH SARS AS E-FILE USER THROUGH THE WEBSITE WWW.SARS.GOV.ZA.</p> <p>2.3 BIDDERS MAY ALSO SUBMIT A PRINTED TCS WITH A RESULT SUMMARY PAGE (DOWNLOADED FROM EFILING) TOGETHER WITH THE BID.</p> <p>2.4 IN BIDS WHERE CONSORTIA / JOINT VENTURES / SUB-CONTRACTORS ARE INVOLVED, EACH PARTY MUST SUBMIT A SEPARATE PROOF OF TCS AS MENTIONED IN 2.3 ABOVE.</p>
3. QUESTIONNAIRE TO BIDDING FOREIGN SUPPLIERS
<p>3.1. IS THE BIDDER A RESIDENT OF THE REPUBLIC OF SOUTH AFRICA (RSA)? <input type="checkbox"/> YES <input type="checkbox"/> NO</p> <p>3.2. DOES THE BIDDER HAVE A BRANCH IN THE RSA? <input type="checkbox"/> YES <input type="checkbox"/> NO</p> <p>3.3. DOES THE BIDDER HAVE A PERMANENT ESTABLISHMENT IN THE RSA? <input type="checkbox"/> YES <input type="checkbox"/> NO</p> <p>3.4. DOES THE BIDDER HAVE ANY SOURCE OF INCOME IN THE RSA? <input type="checkbox"/> YES <input type="checkbox"/> NO</p> <p>IF THE ANSWER IS "NO" TO ALL OF THE ABOVE, THEN, IT IS NOT A REQUIREMENT TO PROVIDE PROOF OF TAX COMPLIANCE STATUS; NOR OBTAIN A TAX COMPLIANCE STATUS FROM THE SOUTH AFRICAN REVENUE SERVICE (SARS) IF NOT REGISTER AS PER 2.2 ABOVE.</p>

***FAILURE TO PROVIDE ANY OF THE ABOVE PARTICULARS MAY RENDER THE BID INVALID.**

SIGNATURE OF BIDDER:

CAPACITY UNDER WHICH THIS BID IS SIGNED:

(Proof of authority must submitted e.g. company resolution)

DATE:

TAX CLEARANCE REQUIREMENTS

IT IS A CONDITION OF THE TENDER THAT -

1. The taxes of the successful service provider **must** be in order, or that satisfactory arrangements have been made with the Receiver of Revenue to meet his / her tax obligations.
2. Application for tax clearance must be done through the Receiver of Revenue office where the service provider is registered for tax purposes. The Receiver of Revenue will then furnish the Supplier with a Tax Clearance Certificate that will be valid for a period of one year from date of issue.
3. This Tax Clearance Certificate must be submitted in the original together with the tender. Failure to submit the **original** and valid Tax Clearance Certificate **will** invalidate the tender. If a tax clearance certificate was submitted previously to CapeNature please indicate as such.
4. In quotations where Consortia / Joint Ventures / Sub-contractors are involved each party must submit a separate Tax Clearance Certificate. Copies of the Application for Tax Clearance Certificates are available at any Receiver's Office.

HAS A TAX CLEARANCE CERTIFICATE BEEN SUBMITTED	YES	NO
ARE YOU THE ACCREDITED REPRESENTATIVE IN SOUTH AFRICA FOR THE GOODS/SERVICES OFFERED BY YOU? (IF YES ENCLOSE PROOF)	Yes	No

**PART C
PRICING SCHEDULE
(Professional Services)**

P&G					
Item	Description	Unit	Quantity	Rate	Amount
	Living accommodation	Month			
	Supervision for duration of construction	Month			
	Company & Head office overhead cost for duration of construction	Month			
Total					

SUMMARY	
P&G	
Nutec Guard hut	
Viewing Deck 1	
Viewing Deck 2	
Composting Toilets	
TOTAL CONSTRUCTION COST	
COMPULSORY CONTINGENCY @ 20%	
Appointment of an ECSA registered structural engineer for inspection and sign off of both viewing decks	
Appointment of a Health and Safety officer	
VAT @ 15%	
GRAND TOTAL (INCLUDING VAT)	

PREFERENCE POINTS CLAIM FORM IN TERMS OF THE PREFERENTIAL PROCUREMENT REGULATIONS 2017

This preference form must form part of all bids invited. It contains general information and serves as a claim form for preference points for Broad-Based Black Economic Empowerment (B-BBEE) Status Level of Contribution

NB: BEFORE COMPLETING THIS FORM, BIDDERS MUST STUDY THE GENERAL CONDITIONS, DEFINITIONS AND DIRECTIVES APPLICABLE IN RESPECT OF B-BBEE, AS PRESCRIBED IN THE PREFERENTIAL PROCUREMENT REGULATIONS, 2017.

1. GENERAL CONDITIONS

1.1 The following preference point systems are applicable to all bids:

- the 80/20 system for requirements with a Rand value of up to R50 000 000 (all applicable taxes included); and
- the 90/10 system for requirements with a Rand value above R50 000 000 (all applicable taxes included).

1.2

a) The value of this bid is estimated to not exceed R50 000 000 (all applicable taxes included) and therefore the 80/20 preference point system shall be applicable; or

b) The 80/20 preference point system will be applicable to this tender

1.3 Points for this bid shall be awarded for:

- (a) Price; and
- (b) B-BBEE Status Level of Contributor.

1.4 The maximum points for this bid are allocated as follows:

	POINTS
PRICE	80
B-BBEE STATUS LEVEL OF CONTRIBUTOR	20
Total points for Price and B-BBEE must not exceed	100

1.5 Failure on the part of a bidder to submit proof of B-BBEE Status level of contributor together with the bid, will be interpreted to mean that preference points for B-BBEE status level of contribution are not claimed.

1.6 The purchaser reserves the right to require of a bidder, either before a bid is adjudicated or at any time subsequently, to substantiate any claim in regard to preferences, in any manner required by the purchaser.

2. DEFINITIONS

- (a) **“B-BBEE”** means broad-based black economic empowerment as defined in section 1 of the Broad-Based Black Economic Empowerment Act;
- (b) **“B-BBEE status level of contributor”** means the B-BBEE status of an entity in terms of a code of good practice on black economic empowerment, issued in terms of section 9(1) of the Broad-Based Black Economic Empowerment Act;
- (c) **“bid”** means a written offer in a prescribed or stipulated form in response to an invitation by an organ of state for the provision of goods or services, through price quotations, advertised competitive bidding processes or proposals;
- (d) **“Broad-Based Black Economic Empowerment Act”** means the Broad-Based Black Economic Empowerment Act, 2003 (Act No. 53 of 2003);
- (e) **“EME”** means an Exempted Micro Enterprise in terms of a code of good practice on black economic empowerment issued in terms of section 9 (1) of the Broad-Based Black Economic Empowerment Act;
- (f) **“functionality”** means the ability of a tenderer to provide goods or services in accordance with specifications as set out in the tender documents.
- (g) **“prices”** includes all applicable taxes less all unconditional discounts;
- (h) **“proof of B-BBEE status level of contributor”** means:
 - 1) B-BBEE Status level certificate issued by an authorized body or person;
 - 2) A sworn affidavit as prescribed by the B-BBEE Codes of Good Practice;
 - 3) Any other requirement prescribed in terms of the B-BBEE Act;
- (i) **“QSE”** means a qualifying small business enterprise in terms of a code of good practice on black economic empowerment issued in terms of section 9 (1) of the Broad-Based Black Economic Empowerment Act;
- (j) **“rand value”** means the total estimated value of a contract in Rand, calculated at the time of bid invitation, and includes all applicable taxes;

3. POINTS AWARDED FOR PRICE

3.1 THE 80/20 OR 90/10 PREFERENCE POINT SYSTEMS

A maximum of 80 or 90 points is allocated for price on the following basis:

80/20

$$P_s = 80 \left(1 - \frac{P_t - P_{\min}}{P_{\min}} \right)$$

Where

P_s = Points scored for price of bid under consideration

P_t = Price of bid under consideration

P_{\min} = Price of lowest acceptable bid

4. POINTS AWARDED FOR B-BBEE STATUS LEVEL OF CONTRIBUTOR

- 4.1 In terms of Regulation 6 (2) and 7 (2) of the Preferential Procurement Regulations, preference points must be awarded to a bidder for attaining the B-BBEE status level of contribution in accordance with the table below:

B-BBEE Status Level of Contributor	Number of points (80/20 system)
1	20
2	18
3	14
4	12
5	8
6	6
7	4
8	2
Non-compliant contributor	0

5. BID DECLARATION

5.1 Bidders who claim points in respect of B-BBEE Status Level of Contribution must complete the following:

6. B-BBEE STATUS LEVEL OF CONTRIBUTOR CLAIMED IN TERMS OF PARAGRAPHS 1.4 AND 4.1

6.1 B-BBEE Status Level of Contributor: . =(maximum 20 points)

(Points claimed in respect of paragraph 7.1 must be in accordance with the table reflected in paragraph 4.1 and must be substantiated by relevant proof of B-BBEE status level of contributor.

7. SUB-CONTRACTING

7.1 Will any portion of the contract be sub-contracted?

(Tick applicable box)

YES	<input type="checkbox"/>	NO	<input type="checkbox"/>
-----	--------------------------	----	--------------------------

7.1.1 If yes, indicate:

- i) What percentage of the contract will be subcontracted.....%
- ii) The name of the sub-contractor.....
- iii) The B-BBEE status level of the sub-contractor.....
- iv) Whether the sub-contractor is an EME or QSE

(Tick applicable box)

YES	<input type="checkbox"/>	NO	<input type="checkbox"/>
-----	--------------------------	----	--------------------------

v) Specify, by ticking the appropriate box, if subcontracting with an enterprise in terms of Preferential Procurement Regulations,2017:

Designated Group: An EME or QSE which is at last 51% owned by:	EME	QSE
Black people	√	√
Black people who are youth		
Black people who are women		
Black people with disabilities		
Black people living in rural or underdeveloped areas or townships		
Cooperative owned by black people		
Black people who are military veterans		
OR		
Any EME		
Any QSE		

8. DECLARATION WITH REGARD TO COMPANY/FIRM

8.1 Name of company/firm:.....

8.2 VAT registration number:.....

8.3 Company registration number:.....

8.4 TYPE OF COMPANY/ FIRM

- Partnership/Joint Venture / Consortium
 - One person business/sole propriety
 - Close corporation
 - Company
 - (Pty) Limited
- [TICK APPLICABLE BOX]

8.5 DESCRIBE PRINCIPAL BUSINESS ACTIVITIES

.....

8.6 COMPANY CLASSIFICATION

- Manufacturer
 - Supplier
 - Professional service provider
 - Other service providers, e.g. transporter, etc.
- [TICK APPLICABLE BOX]

8.7 Total number of years the company/firm has been in business:.....

8.8 I/we, the undersigned, who is / are duly authorised to do so on behalf of the company/firm, certify that the points claimed, based on the B-BBE status level of contributor indicated in paragraphs 1.4 and 6.1 of the foregoing certificate, qualifies the company/ firm for the preference(s) shown and I / we acknowledge that:

- i) The information furnished is true and correct;
- ii) The preference points claimed are in accordance with the General Conditions as indicated in paragraph 1 of this form;
- iii) In the event of a contract being awarded as a result of points claimed as shown in paragraphs 1.4 and 6.1, the contractor may be required to furnish documentary proof to the satisfaction of the purchaser that the claims are correct;
- iv) If the B-BBEE status level of contributor has been claimed or obtained on a fraudulent basis or any of the conditions of contract have not been fulfilled, the purchaser may, in addition to any other remedy it may have –
 - (a) disqualify the person from the bidding process;
 - (b) recover costs, losses or damages it has incurred or suffered as a result of that person's conduct;
 - (c) cancel the contract and claim any damages which it has suffered as a result of having to make less favourable arrangements due to such cancellation;
 - (d) recommend that the bidder or contractor, its shareholders and directors, or only the shareholders and directors who acted on a fraudulent basis, be restricted by the National Treasury from obtaining business from any organ of state for a period not exceeding 10 years, after the *audi alteram partem* (hear the other side) rule has been applied; and
 - (e) forward the matter for criminal prosecution.

WITNESSES

1.

2.

.....

SIGNATURE(S) OF BIDDERS(S)

DATE:

PROVINCIAL GOVERNMENT OF WESTERN CAPE

DECLARATION OF INTERESTS, BIDDERS PAST SCM PRACTICES AND INDEPENDENT BID DETERMINATION

1. To give effect to the requirements of the Western Cape Provincial Treasury Instructions, 2019: Supply Chain Management (Goods and Services), Practice Note 4 of 2006 Declaration of Bidders Past SCM Practices-(SDB8), Instruction note Enhancing Compliance Monitoring and Improving Transparency and Accountability in Supply Chain Management, Practice note 7 of 2009/10 - SBD 4 Declaration of Interest, Practice Note 2010 Prohibition of Restrictive practices SBD9, Section 4 (1) (b) (iii) of the Competition Act No. 89 of 1998 as amended together with its associated regulations, the Prevention and Combating of Corrupt Activities Act No 12 of 2004 and regulations pertaining to the tender defaulters register, Paragraph 16A9 of the National Treasury Regulations and/or any other applicable legislation.
2. All prospective bidders intending to do business with the Institution must be registered on the Central Supplier Database (CSD) and the Western Cape Supplier Evidence Bank (WCSEB) if they wish to do business with the Western Cape Government (WCG) via the electronic Procurement Solution (ePS).

3. Definitions

“bid” means a bidder’s response to an institution’s invitation to participate in a procurement process which may include a bid, price quotation or proposal;

“Bid rigging (or collusive bidding)” occurs when businesses, that would otherwise be expected to compete, secretly conspire to raise prices or lower the quality of goods and / or services for purchasers who wish to acquire goods and/or services through a bidding process. Bid rigging is, therefore, an agreement between competitors;

“business interest” means -

- (a) a right or entitlement to share in profits, revenue or assets of an entity;
- (b) a real or personal right in property;
- (c) a right to remuneration or any other private gain or benefit, or
- (d) includes any interest contemplated in paragraphs (a), (b) or (c) acquired through an intermediary and any potential interest in terms of any of those paragraphs;

“Consortium or Joint Venture” means an association of persons for the purpose of combining their expertise, property, capital, efforts, skill and knowledge in an activity for the execution of a contract;

“Corruption”- General offences of corruption are defined in the Combating of Corrupt Activities

Act, 2004 (Act No 12 of 2004) as:

Any person who directly or indirectly-

- (a) accepts or agrees or offers to accept an! gratification from any other person, whether for the benefit of himself or herself or for the benefit of another person; or

- (b) gives or agrees or offers to give to any other person any gratification, whether for the benefit of that other person or for the benefit of another person., in order to act personally or by influencing another person so to act, in a manner—
 - (i) that amounts to the-
 - (aa) illegal, dishonest, unauthorised, incomplete, or biased; or
 - (bb) misuse or selling of information or material acquired in the course of the exercise, carrying out or performance of any powers, duties or functions arising out of a constitutional, statutory, contractual or any other legal obligation;
 - (ii) that amounts to-
 - (aa) the abuse of a position of authority; (bb) a breach of trust; or
 - (cc) the violation of a legal duty or a set of rules;
 - (iii) designed to achieve an unjustified result; or
 - (iv) that amounts to any other unauthorised or improper inducement to do or 45 not to do anything, of the, is guilty of the offence of corruption

“**CSD**” means the Central Supplier Database maintained by National Treasury;

“**employee**”, in relation to –

- (a) a department, means a person contemplated in section 8 of the Public Service Act, 1994 but excludes a person appointed in terms of section 12A of that Act; and
- (b) a public entity, means a person employed by the public entity;

“**entity**” means any -

- (a) association of persons, whether or not incorporated or registered in terms of any law, including a company, corporation, trust, partnership, close corporation, joint venture or consortium; or
- (b) sole proprietorship;

“**entity conducting business with the Institution**” means an entity that contracts or applies or tenders for the sale, lease or supply of goods or services to the Province;

“**Family member**” means a person’s -

- (a) spouse; or
- (b) child, parent, brother, sister, whether such a relationship results from birth, marriage or adoption or some other legal arrangement (as the case may be);

“**intermediary**” means a person through whom an interest is acquired, and includes a representative or agent or any other person who has been granted authority to act on behalf of another person;

“**Institution**” means –

a provincial department or provincial public entity listed in Schedule 3C of the Act; “**Provincial Government**

Western Cape (PGWC)” means

(a) the Institution of the Western Cape, and

(b) a provincial public entity;

“**RWOEE**” means -

Remunerative Work Outside of the Employee's Employment

“**spouse**” means a person's -

(a) partner in marriage or civil union according to legislation;

(b) partner in a customary union according to indigenous law; or

(c) partner with whom he or she cohabits and who is publicly acknowledged by the person as his other life partner or permanent companion.

4. Regulation 13(c) of the Public Service Regulations (PSR) 2016, effective 1 February 2017, prohibits any employee from conducting business with an organ of state, or holding a directorship in a public or private company doing business with an organ of state unless the employee is a director (in an official capacity) of a company listed in schedules 2 and 3 of the Public Finance Management Act.

a) Therefore, by 31 January 2017 all employees who are conducting business with an organ of state should either have:

(i) resigned as an employee of the government institution or;

(ii) cease conducting business with an organ of state or;

(iii) resign as a director/shareholder/owner/member of an entity that conducts business with an organ of state.

5. Any legal person, or their family members, may make an offer or offers in terms of this invitation to bid. In view of potential conflict of interest, in the event that the resulting bid, or part thereof, be awarded to family members of persons employed by an organ of state, it is required that the bidder or his/her authorised representative declare his/her position in relation to the evaluating/adjudicating authority where the bidder is employed by the Institution

6. The bid of any bidder may be disregarded if that bidder or any of its directors abused the institution's supply chain management system; committed fraud or any other improper conduct in relation to such system; or failed to perform on any previous contract.
7. Section 4 (1) (b) (iii) of the Competition Act No. 89 of 1998, as amended, prohibits an agreement between, or concerted practice by firms, or a decision by an association of firms, if it is between parties in a horizontal relationship and if it involves collusive bidding (or bid rigging). Collusive bidding is a per se prohibition meaning that it cannot be justified under any grounds.
8. Treasury Regulation 16A9 prescribes that accounting officers and accounting authorities must take all reasonable steps to prevent abuse of the supply chain management system and authorises accounting officers and accounting authorities to:
 - a) disregard the bid of any bidder if that bidder, or any of its directors have abused the institution's supply chain management system and or committed fraud or any other improper conduct in relation to such system.
 - b) cancel a contract awarded to a supplier of goods and services if the supplier committed any corrupt or fraudulent act during the bidding process or the execution of that contract.
9. Communication between partners in a joint venture or consortium will not be construed as collusive bidding.
10. In addition and without prejudice to any other remedy provided to combat any restrictive practices related to bids and contracts, bids that are suspicious will be reported to the Competition Commission for investigation and possible imposition of administrative penalties in terms of section 59 of the Competition Act No 89 of 1998 and or may be reported to the National Prosecuting Authority (NPA) for criminal investigation and or may be restricted from conducting business with the public sector for a period not exceeding ten (10) years in terms of the Prevention and Combating of Corrupt Activities Act No 12 of 2004 or any other applicable legislation.

SECTION A: DETAILS OF THE ENTITY		
	CSD Registration Number	MAAA
	Name of the Entity	
	Entity registration Number (where applicable)	
	Entity Type	
	Tax Reference Number	
Full details of directors, shareholder, member, partner, trustee, sole proprietor or any persons with a right or entitlement to share in profits, revenue or assets of the entity should be disclosed in the Table A below.		

TABLE B

Details of persons (family members) connected to or employees of an organ of state should be disclosed in Table B below.

FULL NAME OF EMPLOYEE	IDENTITY NUMBER	DEPARTMENT/ ENTITY OF EMPLOYMENT	DESIGNATION/ RELATIONSHIP TO BIDDER**	INSTITUTION EMPLOYEE NO./PERSAL NO. <i>(Indicate if not known)</i>

SECTION C: PERFORMANCE MANAGEMENT AND BIDDER'S PAST SUPPLY CHAIN MANAGEMENT PRACTICES

To enable the prospective bidder to provide evidence of past and current performance.

C1.	Did the entity conduct business with an organ of state in the last twelve months? (If yes complete Table C)	NO	YES
------------	----------------------------------------------------------------------------------------------------------------	----	-----

C2. TABLE C

Complete the below table to the maximum of the last 5 contracts.

NAME OF CONTRACTOR	PROVINCIAL DEPARTMENT OR PROVINCIAL ENTITY	TYPE OF SERVICES OR COMMODITY	CONTRACT/ ORDER NUMBER	PERIOD OF CONTRACT	VALUE OF CONTRACT	
C3.	Is the entity or its principals listed on the National Database as companies or persons prohibited from doing business with the public sector?			NO	YES	
C4.	Is the entity or its principals listed on the National Treasury Register for Tender Defaulters in terms of section 29 of the Prevention and Combating of Corrupt Activities Act (No. 12 of 2004)? <i>(To access this Register enter the National Treasury's website, www.treasury.gov.za, click on the icon "Register for Tender Defaulters" or submit your written request for a hard copy of the Register to facsimile number (012) 326 5445.)</i>			NO	YES	
C5.	If yes to C3 or C4, were you informed in writing about the listing on the database of restricted suppliers or Register for Tender Defaulters by National Treasury?			NO	YES	N/A
C6.	Was the entity or persons listed in Table A convicted for fraud or corruption during the past five years in a court of law (including a court outside the Republic of South Africa)?			NO	YES	
C7.	Was any contract between the bidder and any organ of state terminated during the past five years on account of failure to perform on or comply with the contract?			NO	YES	

SECTION D: DULY AUTHORISED REPRESENTATIVE TO DEPOSE TO AFFIDAVIT

This form must be signed by a duly authorised representative of the entity in the presence of a commissioner of oaths.

I, hereby swear/affirm;

- i. that the information disclosed above is true and accurate;
- ii. that I understand the content of the document;
- iii. the entity undertakes to independently arrive at any offer at any time to the Institution without any consultation, communication, agreement or arrangement with any competitor. In addition, that there will be no consultations, communications, agreements or arrangements with any competitor regarding the quality, quantity, specifications and conditions or delivery particulars of the products or services to the Institution.
- iv. that the entity or its representative are aware of and undertakes not to disclose the terms of any bid, formal or informal, directly or indirectly, to any competitor, prior to the awarding of the contract.

DULY AUTHORISED REPRESENTATIVE'S

SIGNATURE

I certify that before administering the oath/affirmation I asked the deponent the following questions and wrote down his/her answers in his/her presence:

- 1.1 Do you know and understand the contents of the declaration? ANSWER:
- 1.2 Do you have any objection to taking the prescribed oath? ANSWER:
- 1.3 Do you consider the prescribed oath to be binding on your conscience? ANSWER:
- 1.4 Do you want to make an affirmation? ANSWER:

2. I certify that the deponent has acknowledged that he/she knows and understands the contents of this declaration, which was sworn to/affirmed and the deponent's signature/thumbprint/mark was place thereon in my presence.

.....
SIGNATURE FULL NAMES: Commissioner of Oaths

Designation (rank)..... ex officio: Republic of South Africa

Date:

Place:

Business Address:

GENERAL CONDITIONS OF CONTRACT

NOTES

The purpose of this document is to:

- (i) Draw special attention to certain general conditions applicable to government bids, contracts and orders; and
 - (ii) To ensure that clients be familiar with regard to the rights and obligations of all parties involved in doing business with government. In this document words in the singular also mean in the plural and vice versa and words in the masculine also mean in the feminine and neuter.
- The General Conditions of Contract will form part of all bid documents and may not be amended.
- Special Conditions of Contract (SCC) relevant to a specific bid should be compiled separately for every bid (if applicable) and will supplement the General Conditions of Contract. Whenever there is a conflict, the provisions in the SCC shall prevail.

General Conditions of Contract

1. Definitions 1. The following terms shall be interpreted as indicated:

- 1.1 "Closing time" means the date and hour specified in the bidding documents for the receipt of bids.
- 1.2 "Contract" means the written agreement entered into between the purchaser and the supplier, as recorded in the contract form signed by the parties, including all attachments and appendices thereto and all documents incorporated by reference therein.
- 1.3 "Contract price" means the price payable to the supplier under the contract for the full and proper performance of his contractual obligations.
- 1.4 "Corrupt practice" means the offering, giving, receiving, or soliciting of anything of value to influence the action of a public official in the procurement process or in contract execution.
- 1.5 "Countervailing duties" are imposed in cases where an enterprise abroad is subsidized by its government and encouraged to market its products internationally.
- 1.6 "Country of origin" means the place where the goods were mined, grown or produced or from which the services are supplied. Goods are produced when, through manufacturing, processing or substantial and major assembly of components, a commercially recognized new product results that is substantially different in basic characteristics or in purpose or utility from its components.
- 1.7 "Day" means calendar day.
- 1.8 "Delivery" means delivery in compliance of the conditions of the contract or order.
- 1.9 "Delivery ex stock" means immediate delivery directly from stock actually on hand.
- 1.10 "Delivery into consignees store or to his site" means delivered and unloaded in the specified store or depot or on the specified site in compliance with the conditions of the contract or order, the supplier bearing all risks and charges involved until the supplies are so delivered and a valid receipt is obtained.
- 1.11 "Dumping" occurs when a private enterprise abroad market its goods on own initiative in the RSA at lower prices than that of the country of origin and which have the potential to harm the local industries in the RSA.

1.12 "Force majeure" means an event beyond the control of the supplier and not involving the supplier's fault or negligence and not foreseeable. Such events may include, but is not restricted to, acts of the purchaser in its sovereign capacity, wars or revolutions, fires, floods, epidemics, quarantine restrictions and freight embargoes.

1.13 "Fraudulent practice" means a misrepresentation of facts in order to influence a procurement process or the execution of a contract to the detriment of any bidder, and includes collusive practice among bidders (prior to or after bid submission) designed to establish bid prices at artificial non-competitive levels and to deprive the bidder of the benefits of free and open competition.

1.14 "GCC" means the General Conditions of Contract.

1.15 "Goods" means all of the equipment, machinery, and/or other materials that the supplier is required to supply to the purchaser under the contract.

1.16 "Imported content" means that portion of the bidding price represented by the cost of components, parts or materials which have been or are still to be imported (whether by the supplier or his subcontractors) and which costs are inclusive of the costs abroad, plus freight and other direct importation costs such as landing costs, dock dues, import duty, sales duty or other similar tax or duty at the South African place of entry as well as transportation and handling charges to the factory in the Republic where the supplies covered by the bid will be manufactured.

1.17 "Local content" means that portion of the bidding price which is not included in the imported content provided that local manufacture does take place.

1.18 "Manufacture" means the production of products in a factory using labour, materials, components and machinery and includes other related value-adding activities.

1.19 "Order" means an official written order issued for the supply of goods or works or the rendering of a service.

1.20 "Project site," where applicable, means the place indicated in bidding documents.

1.21 "Purchaser" means the organization purchasing the goods.

1.22 "Republic" means the Republic of South Africa.

1.23 "SCC" means the Special Conditions of Contract.

1.24 "Services" means those functional services ancillary to the supply of the goods, such as transportation and any other incidental services, such as installation, commissioning, provision of technical assistance, training, catering, gardening, security, maintenance and other such obligations of the supplier covered under the contract.

1.25 "Written" or "in writing" means handwritten in ink or any form of electronic or mechanical writing.

2. Application

2.1 These general conditions are applicable to all bids, contracts and orders including bids for functional and professional services, sales, hiring, letting and the granting or acquiring of rights, but excluding

immovable property, unless otherwise indicated in the bidding documents.

2.2 Where applicable, special conditions of contract are also laid down to cover specific supplies, services or works.

2.3 Where such special conditions of contract are in conflict with these general conditions, the special conditions shall apply.

3. General

3.1 Unless otherwise indicated in the bidding documents, the purchaser shall not be liable for any expense incurred in the preparation and submission of a bid. Where applicable a non-refundable fee for documents may be charged.

3.2 With certain exceptions, invitations to bid are only published in the Government Tender Bulletin. The Government Tender Bulletin may be obtained directly from the Government Printer, Private Bag X85,

Pretoria 0001, or accessed electronically from www.treasury.gov.za

4. Standards

4.1 The goods supplied shall conform to the standards mentioned in the bidding documents and specifications.

5. Use of contract documents and information; inspection.

5.1 The supplier shall not, without the purchaser's prior written consent, disclose the contract, or any provision thereof, or any specification, plan, drawing, pattern, sample, or information furnished by or on behalf of the purchaser in connection therewith, to any person other than a person employed by the supplier in the performance of the contract. Disclosure to any such employed person shall be made in confidence and shall extend only so far as may be necessary for purposes of such performance.

5.2 The supplier shall not, without the purchaser's prior written consent, make use of any document or information mentioned in GCC clause

5.1 except for purposes of performing the contract.

5.3 Any document, other than the contract itself mentioned in GCC clause

5.1 shall remain the property of the purchaser and shall be returned (all copies) to the purchaser on completion of the supplier's performance under the contract if so required by the purchaser.

5.4 The supplier shall permit the purchaser to inspect the supplier's records relating to the performance of the supplier and to have them audited by auditors appointed by the purchaser, if so required by the purchaser.

6. Patent rights

6.1 The supplier shall indemnify the purchaser against all third-party claims of infringement of patent, trademark, or industrial design rights arising from use of the goods or any part thereof by the purchaser.

7. Performance security

7.1 Within thirty (30) days of receipt of the notification of contract award, the successful bidder shall furnish to the purchaser the performance security of the amount specified in SCC.

7.2 The proceeds of the performance security shall be payable to the purchaser as compensation for any loss resulting from the supplier's failure to complete his obligations under the contract.

7.3 The performance security shall be denominated in the currency of the contract, or in a freely convertible currency acceptable to the purchaser and shall be in one of the following forms:

(a) a bank guarantee or an irrevocable letter of credit issued by a reputable bank located in the purchaser's country or abroad, acceptable to the purchaser, in the form provided in the bidding documents or another form acceptable to the purchaser; or

(b) a cashier's or certified cheque

7.4 The performance security will be discharged by the purchaser and returned to the supplier not later than thirty (30) days following the date of completion of the supplier's performance obligations under the contract, including any warranty obligations, unless otherwise specified in SCC.

8. Inspections, tests and analyses

8.1 All pre-bidding testing will be for the account of the bidder.

8.2 If it is a bid condition that supplies to be produced or services to be rendered should at any stage during production or execution or on completion be subject to inspection, the premises of the bidder or contractor shall be open, at all reasonable hours, for inspection by a representative of the Department or an organization acting on behalf of the Department.

8.3 If there are no inspection requirements indicated in the bidding documents and no mention is made in the contract, but during the contract period it is decided that inspections shall be carried out, the purchaser shall itself make the necessary arrangements, including payment arrangements with the testing authority concerned.

8.4 If the inspections, tests and analyses referred to in clauses 8.2 and 8.3 show the supplies to be in accordance with the contract requirements, the cost of the inspections, tests and analyses shall be defrayed by the purchaser.

8.5 Where the supplies or services referred to in clauses 8.2 and 8.3 do not comply with the contract requirements, irrespective of whether such supplies or services are accepted or not, the cost in connection with these inspections, tests or analyses shall be defrayed by the supplier.

8.6 Supplies and services which are referred to in clauses 8.2 and 8.3 and which do not comply with the contract requirements may be rejected.

8.7 Any contract supplies may on or after delivery be inspected, tested or analysed and may be rejected if found not to comply with the requirements of the contract. Such rejected supplies shall be held at the cost and risk of the supplier who shall, when called upon, remove them immediately at his own cost and forthwith substitute them with supplies which do comply with the requirements of the contract. Failing such removal the rejected supplies shall be returned at the suppliers cost and risk. Should the supplier fail to provide the substitute supplies forthwith, the purchaser may, without giving the supplier further opportunity to substitute the rejected supplies, purchase such supplies as may be necessary at the expense of the supplier.

8.8 The provisions of clauses 8.4 to 8.7 shall not prejudice the right of the purchaser to cancel the contract on account of a breach of the conditions thereof, or to act in terms of Clause 23 of GCC.

9. Packing

9.1 The supplier shall provide such packing of the goods as is required to prevent their damage or deterioration during transit to their final destination, as indicated in the contract. The packing shall be sufficient to withstand, without limitation, rough handling during transit and exposure to extreme temperatures, salt and precipitation

during transit, and open storage. Packing, case size and weights shall take into consideration, where appropriate, the remoteness of the goods' final destination and the absence of heavy handling facilities at all points in transit.

9.2 The packing, marking, and documentation within and outside the packages shall comply strictly with such special requirements as shall be expressly provided for in the contract, including additional requirements, if any, specified in SCC, and in any subsequent instructions ordered by the purchaser.

10. Delivery and documents

10.1 Delivery of the goods shall be made by the supplier in accordance with the terms specified in the contract. The details of shipping and/or other documents to be furnished by the supplier are specified in SCC.

10.2 Documents to be submitted by the supplier are specified in SCC.

11. Insurance

11.1 The goods supplied under the contract shall be fully insured in a freely convertible currency against loss or damage incidental to manufacture or acquisition, transportation, storage and delivery in the manner specified in the SCC.

12. Transportation

12.1 Should a price other than an all-inclusive delivered price be required, this shall be specified in the SCC.

13. Incidental services

13.1 The supplier may be required to provide any or all of the following services, including additional services, if any, specified in SCC:

- (a) performance or supervision of on-site assembly and/or commissioning of the supplied goods;
- (b) furnishing of tools required for assembly and/or maintenance of the supplied goods;
- (c) furnishing of a detailed operations and maintenance manual for each appropriate unit of the supplied goods;
- (d) performance or supervision or maintenance and/or repair of the supplied goods, for a period of time agreed by the parties, provided that this service shall not relieve the supplier of any warranty obligations under this contract; and
- (e) training of the purchaser's personnel, at the supplier's plant and/or on-site, in assembly, start-up, operation, maintenance, and/or repair of the supplied goods.

13.2 Prices charged by the supplier for incidental services, if not included in the contract price for the goods, shall be agreed upon in advance by the parties and shall not exceed the prevailing rates charged to other parties by the supplier for similar services.

14. Spare parts

14.1 As specified in SCC, the supplier may be required to provide any or all of the following materials, notifications, and information pertaining to spare parts manufactured or distributed by the supplier:

- (a) such spare parts as the purchaser may elect to purchase from the supplier, provided that this election shall not relieve the supplier of any warranty obligations under the contract; and
- (b) in the event of termination of production of the spare parts:
 - (i) Advance notification to the purchaser of the pending termination, in sufficient time to permit the purchaser to procure needed requirements; and
 - (ii) following such termination, furnishing at no cost to the purchaser, the blueprints, drawings, and specifications of the spare parts, if requested.

15. Warranty

15.1 The supplier warrants that the goods supplied under the contract are new, unused, of the most recent or current models, and that they incorporate all recent improvements in design and materials unless provided otherwise in the contract. The supplier further warrants that all goods supplied under this contract shall have no defect, arising from design, materials, or workmanship (except when the design and/or material is required by the purchaser's specifications) or from any act or omission of the supplier, that may develop under normal use of the supplied goods in the conditions prevailing in the country of final destination.

15.2 This warranty shall remain valid for twelve (12) months after the goods, or any portion thereof as the case may be, have been delivered to and accepted at the final destination indicated in the contract, or for eighteen (18) months after the date of shipment from the port or place of loading in the source country, whichever period concludes earlier, unless specified otherwise in SCC.

15.3 The purchaser shall promptly notify the supplier in writing of any claims arising under this warranty.

15.4 Upon receipt of such notice, the supplier shall, within the period specified in SCC and with all reasonable speed, repair or replace the defective goods or parts thereof, without costs to the purchaser.

15.5 If the supplier, having been notified, fails to remedy the defect(s) within the period specified in SCC, the purchaser may proceed to take such remedial action as may be necessary, at the supplier's risk and expense and without prejudice to any other rights which the purchaser may have against the supplier under the contract.

16. Payment

16.1 The method and conditions of payment to be made to the supplier under this contract shall be specified in SCC.

16.2 The supplier shall furnish the purchaser with an invoice accompanied by a copy of the delivery note and upon fulfilment of other obligations stipulated in the contract.

16.3 Payments shall be made promptly by the purchaser, but in no case later than thirty (30) days after submission of an invoice or claim by the supplier.

16.4 Payment will be made in Rand unless otherwise stipulated in SCC.

17. Prices

17.1 Prices charged by the supplier for goods delivered and services performed under the contract shall not vary from the prices quoted by the supplier in his bid, with the exception of any price adjustments authorized in SCC or in the purchaser's request for bid validity extension, as the case may be.

18. Contract amendments

18.1 No variation in or modification of the terms of the contract shall be made except by written amendment signed by the parties concerned.

19. Assignment

19.1 The supplier shall not assign, in whole or in part, its obligations to perform under the contract, except with the purchaser's prior written consent.

20. Subcontracts

20.1 The supplier shall notify the purchaser in writing of all subcontracts awarded under this contracts if not already specified in the bid. Such notification, in the original bid or later, shall not relieve the supplier from any liability or obligation under the contract.

21. Delays in the supplier's performance

21.1 Delivery of the goods and performance of services shall be made by the supplier in accordance with the time schedule prescribed by the purchaser in the contract.

21.2 If at any time during performance of the contract, the supplier or its subcontractor(s) should encounter conditions impeding timely delivery of the goods and performance of services, the supplier shall promptly notify the purchaser in writing of the fact of the delay, its likely duration and its cause(s). As soon as practicable after receipt of the supplier's notice, the purchaser shall evaluate the situation and may at his discretion extend the supplier's time for performance, with or without the imposition of penalties, in which case the extension shall be ratified by the parties by amendment of contract.

21.3 No provision in a contract shall be deemed to prohibit the obtaining of supplies or services from a national department, provincial department, or a local authority.

21.4 The right is reserved to procure outside of the contract small quantities or to have minor essential services executed if an emergency arises, the supplier's point of supply is not situated at or near the place where the supplies are required, or the supplier's services are not readily available.

21.5 Except as provided under GCC Clause 25, a delay by the supplier in the performance of its delivery obligations shall render the supplier liable to the imposition of penalties, pursuant to GCC Clause 22, unless an extension of time is agreed upon pursuant to GCC Clause 21.2 without the application of penalties.

21.6 Upon any delay beyond the delivery period in the case of a supplies contract, the purchaser shall, without cancelling the contract, be entitled to purchase supplies of a similar quality and up to the same quantity in substitution of the goods not supplied in conformity with the contract and to return any goods delivered later at the supplier's expense and risk, or to cancel the contract and buy such goods as may be required to complete the contract and without prejudice to his other rights, be entitled to claim damages from the supplier.

22. Penalties

22.1 Subject to GCC Clause 25, if the supplier fails to deliver any or all of the goods or to perform the services within the period(s) specified in the contract, the purchaser shall, without prejudice to its other remedies under the contract, deduct from the contract price, as a penalty, a sum calculated on the delivered price of the delayed goods or unperformed services using the current prime interest rate calculated for each day of the delay until actual delivery or performance. The purchaser may also consider termination of the contract pursuant to GCC Clause 23.

23. Termination for default

23.1 The purchaser, without prejudice to any other remedy for breach of contract, by written notice of default sent to the supplier, may terminate this contract in whole or in part:

(a) if the supplier fails to deliver any or all of the goods within the period(s) specified in the contract, or within any extension thereof granted by the purchaser pursuant to GCC Clause 21.2;

(b) if the Supplier fails to perform any other obligation(s) under the contract; or

(c) if the supplier, in the judgment of the purchaser, has engaged in corrupt or fraudulent practices in competing for or in executing the contract.

23.2 In the event the purchaser terminates the contract in whole or in part, the purchaser may procure, upon such terms and in such manner as it deems appropriate, goods, works or services similar to those undelivered, and the supplier shall be liable to the purchaser for any excess costs for such similar goods, works or services. However, the supplier shall continue performance of the contract to the extent not terminated.

23.3 Where the purchaser terminates the contract in whole or in part, the purchaser may decide to impose a restriction penalty on the supplier by prohibiting such supplier from doing business with the public sector for a period not exceeding 10 years.

23.4 If a purchaser intends imposing a restriction on a supplier or any person associated with the supplier, the supplier will be allowed a time period of not more than fourteen (14) days to provide reasons why the envisaged restriction should not be imposed. Should the supplier fail to respond within the stipulated fourteen (14) days the purchaser may regard the intended penalty as not objected against and may impose it on the supplier.

23.5 Any restriction imposed on any person by the Accounting Officer / Authority will, at the discretion of the Accounting Officer / Authority, also be applicable to any other enterprise or any partner, manager, director or other person who wholly or partly exercises or exercised or may exercise control over the enterprise of the first-mentioned person, and with which enterprise or person the first-mentioned person, is or was in the opinion of the Accounting Officer / Authority actively associated.

23.6 If a restriction is imposed, the purchaser must, within five (5) working days of such imposition, furnish the National Treasury, with the following information:

- (i) the name and address of the supplier and / or person restricted by the purchaser;
- (ii) the date of commencement of the restriction
- (iii) the period of restriction; and
- (iv) the reasons for the restriction.

These details will be loaded in the National Treasury's central database of suppliers or persons prohibited from doing business with the public sector.

23.7 If a court of law convicts a person of an offence as contemplated in sections 12 or 13 of the Prevention and Combating of Corrupt Activities Act, No. 12 of 2004, the court may also rule that such person's name be endorsed on the Register for Tender Defaulters. When a person's name has been endorsed on the Register, the person will be prohibited from doing business with the public sector for a period not less than five years and not more than 10 years. The National Treasury is empowered to determine the period of restriction and each case will be dealt with on its own merits. According to section 32 of the Act the Register must be open to the public. The Register can be perused on the National Treasury website.

24. Anti-dumping and countervailing duties and rights

24.1 When, after the date of bid, provisional payments are required, or antidumping or countervailing duties are imposed, or the amount of a provisional payment or anti-dumping or countervailing right is increased in respect of any dumped or subsidized import, the State is not liable for any amount so required or imposed, or for the amount of any such increase. When, after the said date, such a provisional payment is no longer required or any such anti-dumping or countervailing right is abolished, or where the amount of such provisional payment or any such right is reduced, any such favourable difference shall on demand be paid forthwith by the contractor to the State or the State may deduct

such amounts from moneys (if any) which may otherwise be due to the contractor in regard to supplies or services which he delivered or rendered, or is to deliver or render in terms of the contract or any other contract or any other amount which may be due to him

25. Force Majeure

25.1 Notwithstanding the provisions of GCC Clauses 22 and 23, the supplier shall not be liable for forfeiture of its performance security, damages, or termination for default if and to the extent that his delay in performance or other failure to perform his obligations under the contract is the result of an event of force majeure.

25.2 If a force majeure situation arises, the supplier shall promptly notify the purchaser in writing of such condition and the cause thereof. Unless otherwise directed by the purchaser in writing, the supplier shall continue to perform its obligations under the contract as far as is reasonably practical, and shall seek all reasonable alternative means for performance not prevented by the force majeure event.

26. Termination for insolvency

26.1 The purchaser may at any time terminate the contract by giving written notice to the supplier if the supplier becomes bankrupt or otherwise insolvent. In this event, termination will be without compensation to the supplier, provided that such termination will not prejudice or affect any right of action or remedy which has accrued or will accrue thereafter to the purchaser.

27. Settlement of Disputes

27.1 If any dispute or difference of any kind whatsoever arises between the purchaser and the supplier in connection with or arising out of the contract, the parties shall make every effort to resolve amicably such dispute or difference by mutual consultation.

27.2 If, after thirty (30) days, the parties have failed to resolve their dispute or difference by such mutual consultation, then either the purchaser or the supplier may give notice to the other party of his intention to commence with mediation. No mediation in respect of this matter may be commenced unless such notice is given to the other party.

27.3 Should it not be possible to settle a dispute by means of mediation, it may be settled in a South African court of law.

27.4 Mediation proceedings shall be conducted in accordance with the rules of procedure specified in the SCC.

27.5 Notwithstanding any reference to mediation and/or court proceedings herein,

(a) the parties shall continue to perform their respective obligations under the contract unless they otherwise agree; and

(b) the purchaser shall pay the supplier any monies due the supplier.

28. Limitation of liability

28.1 Except in cases of criminal negligence or wilful misconduct, and in the case of infringement pursuant to

(a) the supplier shall not be liable to the purchaser, whether in contract, tort, or otherwise, for any indirect or consequential loss or damage, loss of use, loss of production, or loss of profits or interest costs, provided that this exclusion shall not apply to any obligation of the supplier to pay penalties and/or damages to the purchaser; and

(b) the aggregate liability of the supplier to the purchaser, whether under the contract, in tort or otherwise, shall not exceed the total contract price, provided that this limitation shall not apply to the cost of repairing or replacing defective equipment.

29. Governing language

29.1 The contract shall be written in English. All correspondence and other documents pertaining to the contract that is exchanged by the parties shall also be written in English.

30. Applicable law

30.1 The contract shall be interpreted in accordance with South African laws, unless otherwise specified in SCC.

31. Notices 31.1 Every written acceptance of a bid shall be posted to the supplier concerned by registered or certified mail and any other notice to him shall be posted by ordinary mail to the address furnished in his bid or to the address notified later by him in writing and such posting shall be deemed to be proper service of such notice

31.2 The time mentioned in the contract documents for performing any act after such aforesaid notice has been given, shall be reckoned from the date of posting of such notice.

32. Taxes and duties

32.1 A foreign supplier shall be entirely responsible for all taxes, stamp duties, license fees, and other such levies imposed outside the purchaser's country.

32.2 A local supplier shall be entirely responsible for all taxes, duties, license fees, etc., incurred until delivery of the contracted goods to the purchaser.

32.3 No contract shall be concluded with any bidder whose tax matters are not in order. Prior to the award of a bid the Department must be in possession of a tax clearance certificate, submitted by the bidder. This certificate must be an original issued by the South African Revenue Services.

33. National Industrial Participation (NIP) Programme

33.1 The NIP Programme administered by the Department of Trade and Industry shall be applicable to all contracts that are subject to the NIP obligation.

34. Prohibition of Restrictive practices

34.1 In terms of section 4 (1) (b) (iii) of the Competition Act No. 89 of 1998, as amended, an agreement between, or concerted practice by, firms, or a decision by an association of firms, is prohibited if it is between parties in a horizontal relationship and if a bidder (s) is / are or a contractor(s) was / were involved in collusive bidding (or bid rigging).

34.2 If a bidder(s) or contractor(s), based on reasonable grounds or evidence obtained by the purchaser, has / have engaged in the restrictive practice referred to above, the purchaser may refer the matter to the Competition Commission for investigation and possible imposition of administrative penalties as contemplated in the Competition Act No. 89 of 1998.

34.3 If a bidder(s) or contractor(s), has / have been found guilty by the Competition Commission of the restrictive practice referred to above, the purchaser may, in addition and without prejudice to any other remedy provided for, invalidate the bid(s) for such item(s) offered, and / or terminate the contract in whole or part, and / or restrict the bidder(s) or contractor(s) from conducting business with the public sector for a period not exceeding ten (10) years and / or claim damages from the bidder(s) or contractor(s) concerned.

CAPENATURE SEEKS A SKILLED CONTRACTOR WITH A CIDB GRADING OF 2GB OR GREATER TO UNDERTAKE CONSTRUCTION OF A NUTEC GUARD HUT; COMPOSTING TOILETS AND TWO (2) VIEWING DECKS AT GEELKRANS NATURE RESERVE, AS A TURNKEY SOLUTION.



BACKGROUND

CapeNature seeks a skilled contractor with a CIDB grade of 2gb or greater to undertake construction of a Nutec Guard hut; composting toilets and two (2) viewing decks at Geelkrans Nature Reserve, as a Turnkey Solution.

LOCATION

Geelkrans Nature Reserve is located on the outskirts of **Still Bay** in the **Eden District** of the Western Cape. The reserve is accessible with a typical vehicle.

GPS Co-ordinates: 34°21'55.5"S 21°27'43.9"E

SPECIFICATION

Undertake general building works as set out in the included ANNEXURES:

- Nutec Guard Hut with veranda 2.4m x 3.5m x 2.4m – ANNEXURE A
- Two (2) 3m x 5m viewing decks with balustrades – ANNEXURE A
- Composting toilets – ANNEXURE A

SCOPE OF WORKS**STRUCTURAL ENGINEERING SERVICES**

The appointment of an ECSA (Engineering Council of South Africa) registered structural engineer to inspect and certify both viewing decks.

CONSTRUCTION

Undertake all tasks related to the construction and implementation of the project:

- Labour, materials and equipment;

Compliance with all aspects of Health and Safety as well as CapeNature's Environmental Management Plan (EMP) for construction projects.

MANAGEMENT

Provide a complete Design and Build solution:

- Provide construction programmes, cost reports and project closeout as required;
- Provide certificates of compliance (COCs) as required;

Bids to include the appointment of relevantly skilled and qualified Health and Safety Officer.

ANNEXURE A

NUTEC GUARD HUT

Provide a Nutec Guard Hut compliant with the following criteria:

- Timber frame, Nutec Fibre Cement cladded;
- Approximately 2.4m (w) x 3.5m (l) x 2.4m (h) with Veranda;
- Pitched roof;
- Lockable doors and two (2) windows;
- Prepare ground levels;
- Precast cement footings;

Images provided as examples only:





CONSTRUCTION NOTES – VIEWING DECKS

1. DESIGN LOAD CAPACITY OF MODULAR DECKS

FOUNDATION TYPE	DESIGN LOAD CAPACITY (ie. design variable load)	APPROXIMATE EQUIVALENT LOAD FROM ADULT OCCUPANTS
1	1.5 kN/m ²	2 persons per square metre
2	3.0 kN/m ²	4 persons per square metre

Note: Balustrade design load = 1 kN/m horizontal load acting inward or outward on the balustrade.

2. MODULAR DECK MEMBER SCHEDULE

MEMBER (MARK)	SIZE: WIDTH X DEPTH (mm)	TIMBER GRADE	MODULAR DECK FRAMING REQUIREMENTS
Decking (-)	105 x 22	S5	Joist spacing = 400 mm maximum. Decking to span continuously over 3 bays ie. 1200 mm minimum board length. Decking joints to be staggered.
Joist (J)	50 x 152	S5	Maximum joist span = 1500 mm. Joist to span continuously over 2 bays minimum. Stock timber length required = 3000 mm.
Bearer (B)	50 x 228	S5	Maximum bearer span = 1800 mm. Bearer to span continuously over 2 bays minimum. Stock timber length required = 3600 mm.
Vertical brace / Knee brace (VB)	38 x 152	S5	As indicated on the drawings. Bracing to be selected to suit deck height above NGL ie. the specific site requirements. Maximum permissible brace length = 2000 mm between end connections.
Balustrade (BD)	38 x 152	S5	As indicated on the drawings.
Post (P)	Class 6 ie. 150mm nominal diamter ¹	SANS 457-2 Softwood SANS 457-3 Hardwood	Maximum permissible post height = 2700 mm between NGL ² and deck level.

Note (1): Diameter in the range 140 to 159mm at thin end of pole.

Note (2): NGL = compacted ground level at post foundation location.

3. PRESERVATIVE TREATMENT OF TIMBER

All structural timber is to be pressure treated with WCCA preservative to SANS 10005 in accordance with the Hazard Classes tabulated below:

TIMBER	HAZARD CLASS	APPLICATION	FINISHING COATS TO BE APPLIED TO DECK ELEMENTS
Decking	H3	Exterior decking boards	Galseal exterior decking oil (sealer) to be applied to all decking boards with particular attention paid to board ends. Note: The underside of decking boards is to be pre-oiled before installation.
Sawn timber	H3	Exterior deck framing - not in contact with the ground but exposed to leaching and weathering.	Waksol heavy wood oil to be applied to below deck framing (joists, bearers and braces) prior to the installation of decking boards. Galseal exterior decking oil to be applied to the remaining deck framing (balustrades, steps etc).
Poles	H5	Posts buried in the ground - may be in contact with wet soils.	Waksol heavy wood oil to be applied to posts prior to the installation of decking boards.

- 3.1 Pre-treated standard lengths of timber are to be used for construction as far as is possible to minimise the need to cut timber.
- 3.2 Cuts and drill holes in all timber are to be treated with a minimum of 2 coats of remedial timber preservative (Enseal or CuGard 20 or similar approved) applied by brushing or dipping.
- 3.3 After the excavation and compaction of foundations, deck posts are to be cut to the exact length required before installation. Freshly cut surfaces are to be treated with a minimum of 2 coats of remedial timber preservative. In addition the rebates cut in posts to support bearer beams are to be sealed with Waksol heavy wood oil prior to installation of the bearers.
- 3.4 A minimum air gap of 400 mm is to be allowed between ground level and the underside of deck framing to enable the circulation of air beneath the deck and to allow access for maintenance.
- 3.5 Care shall be taken to ensure that sawdust, timber offcuts etc which provide a source of nourishment to fungi, termites and borers, are removed from the site particularly from under the

suspended deck.

4. CONNECTIONS AND FASTENERS

All steel fasteners and hardware used in forming connections (eg. angle brackets, hurricane clips etc) are to be corrosion protected to provide a minimum service life of 20 years in a category C4 atmospheric corrosivity environment (ISO 9223).

Minimum corrosion protection requirements are tabulated below:

FASTENER	REQUIRED CORROSION PROTECTION	NOTES
Decking screws	Grade A2 stainless steel.	Grade A2 = Type 304 austenitic stainless steel. Galvanised posi-drive screws may not be used.
Nuts, bolts and washers	Grade A2 stainless steel.	Grade A2 = Type 304 austenitic stainless steel.
Threaded bar ('ready bar')	Grade A2 stainless steel.	Grade A2 = Type 304 austenitic stainless steel.
Coach screws	Grade A2 stainless steel	Grade A2 = Type 304 austenitic stainless steel.
Ring shank nails	Grade A2 stainless steel.	Grade A2 = Type 304 austenitic stainless steel.
Connection hardware	Grade A2 stainless steel.	Grade A2 = Type 304 austenitic stainless steel.

4.1 Bolt installation:

- Bolt holes are to be drilled to the same diameter as the bolt shank and treated with remedial preservative (see 3.2).
- Bolts are to be provided with over size washers under both the bolt head and the nut.
M16 bolt: Washer 50 x 50 x 4 mm thick.
M12 bolt: Washer 38 x 38 x 4 mm thick.
Bolt heads and nuts are not to be countersunk.
- Bolts may be substituted with threaded bar of the same diameter.

4.2 Coach screw installation:

- Coach screws may not be used in lieu of bolts when bolts are specified in the connection details.

- Predrill coach screw holes.

The lead hole for the unthreaded shank is to have the same diameter and length as the shank.

The diameter of the lead hole for the threaded portion of the coach screw is to be determined to suit the density of the timber (usually +/- 0.5 x coach screw diameter for softwoods).

- Coach screws are to be installed by turning with a wrench (not driving with a hammer). Installation may be lubricated with a non-corrosive lubricant eg. hand soap.
- Coach screws are not be countersunk.

Coach screws are to be provided with over size washers under the screw head.

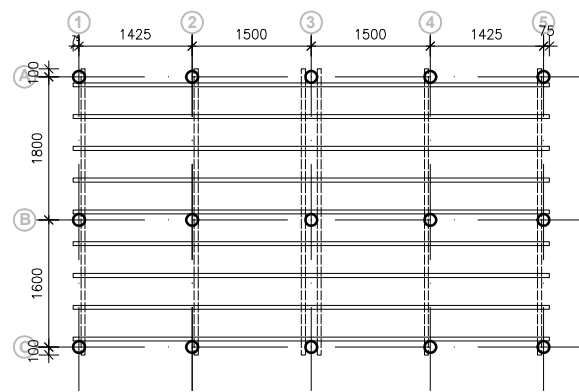
M16 screw: Washer 50 x 50 x 4 mm thick.

M12 screw: Washer 38 x 38 x 4 mm thick.

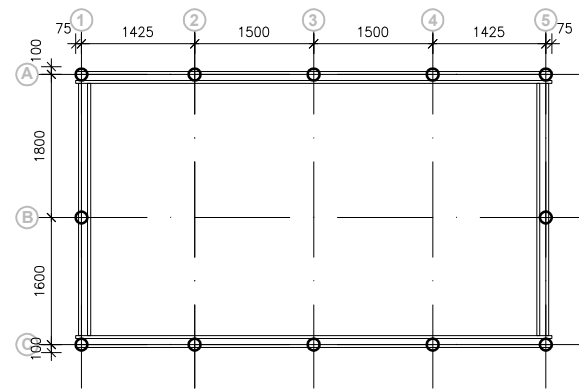
M10 screw: Washer 30 x 30 x 3 mm thick.

4.3 Installation of nails:

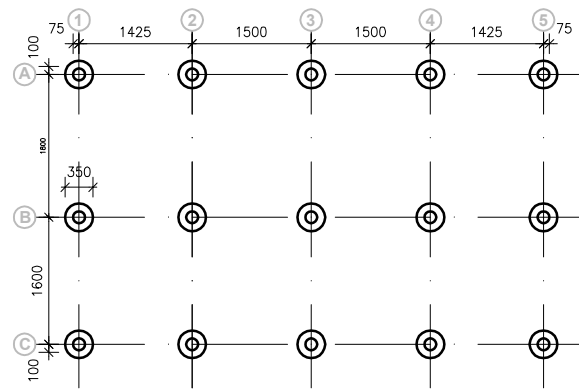
Pilot holes are to be drilled for the installation of nails in hardwood when deemed necessary to avoid the splitting of timber.



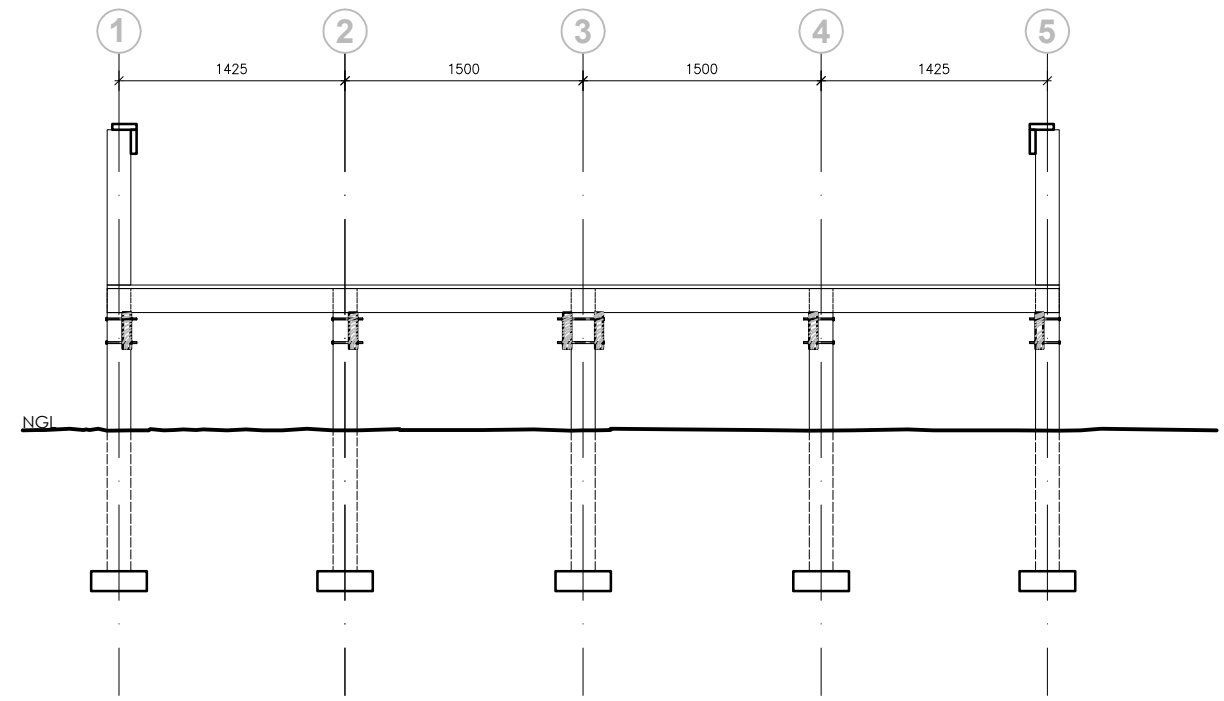
DECK FRAMING PLAN
SCALE | 1:100



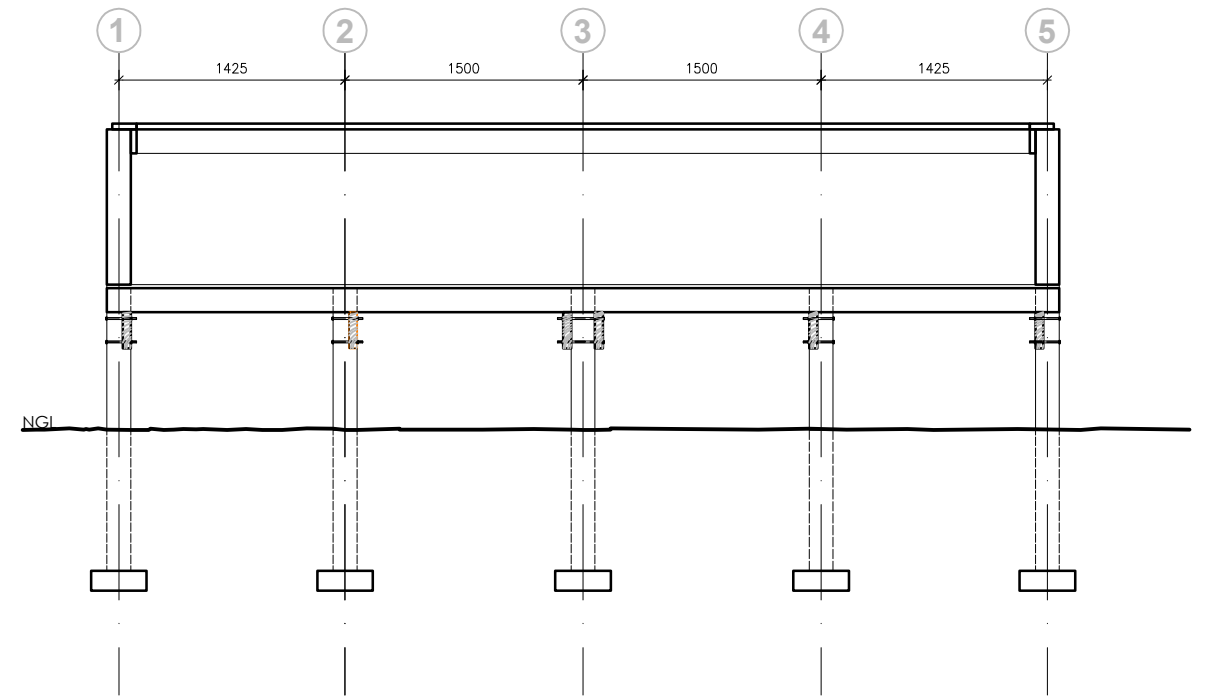
BALUSTRADE PLAN
SCALE | 1:100



**FOUNDATION & FRAME
VERTICAL BRACING PLAN**
SCALE | 1:100



SECTION X1
SCALE | 1:50



SECTION X2
SCALE | 1:50

PROJECT

CAPE NATURE

DATE
05/08/2021

DESIGNED
AS

DRAWN
VB

REVISIONS

REV.	DATE	DESCRIPTION	BY

CHECKED BY
AS/CM

DRAWING STATUS
---Draft For Information Only

TITLE

TIMBER VIEWING DECKS

REFERENCE NO.

SCALE
AS SHOWN

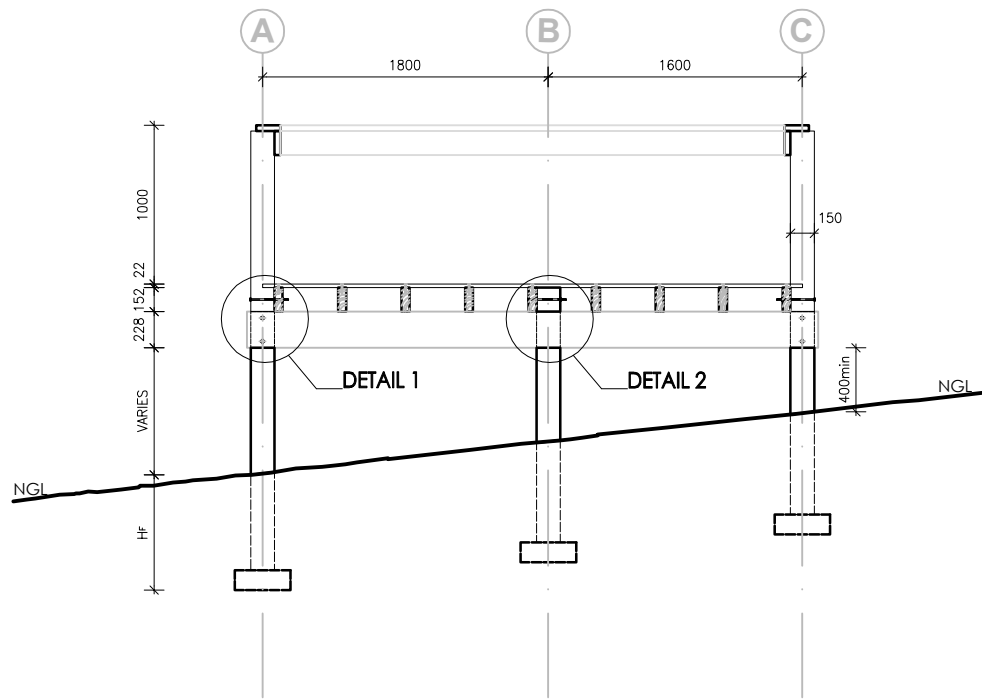
DRAWING NO.
CPN-TVD 01

REV.NO.
0

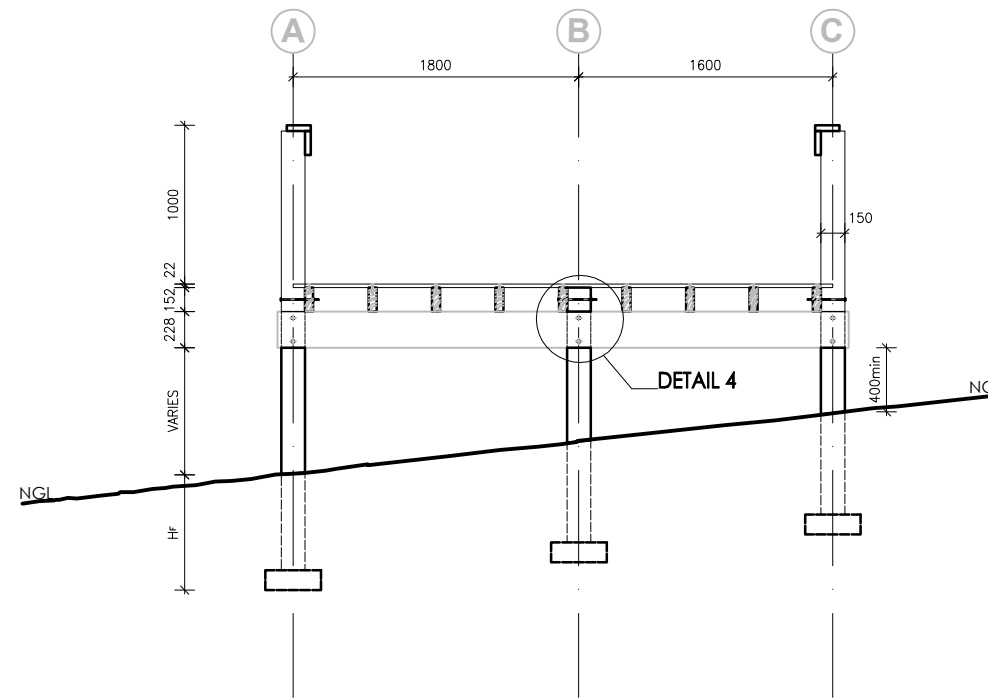


**Western Cape
Government**

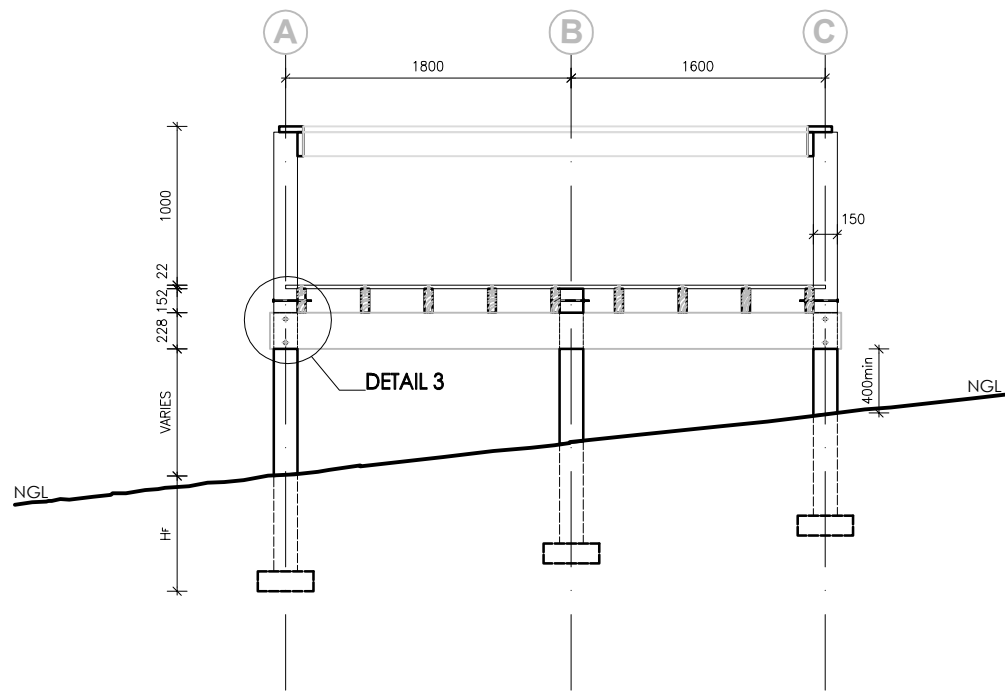
Transport and Public Works



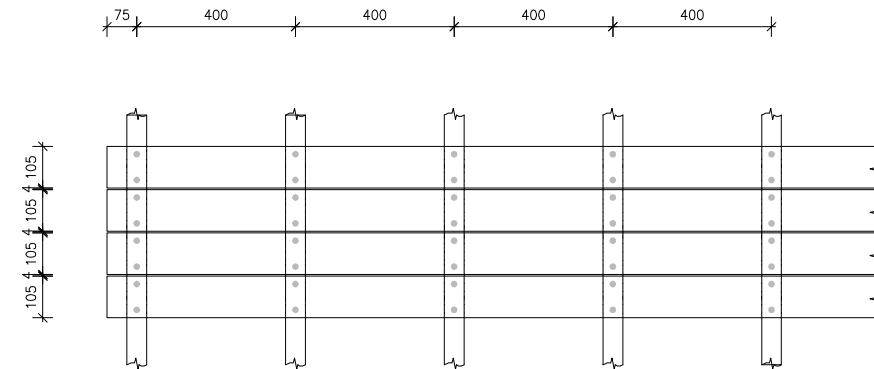
SECTION Y1
SCALE 1:50



SECTION Y2
SCALE 1:50



SECTION Y2
SCALE 1:50

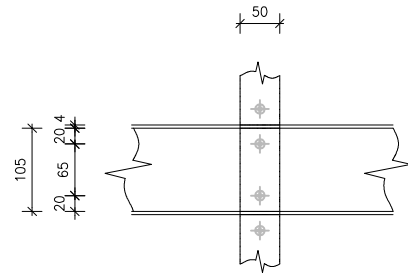


TYPICAL DECKING PLAN
SCALE 1:20

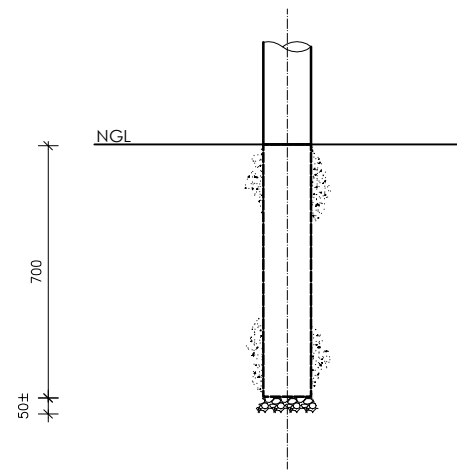
PROJECT CAPE NATURE	DATE 05/08/2021	DESIGNED AS	DRAWN VB
TITLE TIMBER VIEWING DECKS	CHECKED BY AS/CM	DRAWING STATUS --- 8fUzh: cf`bZcfa Uhjcb`Cb`m	
	REFERENCE NO. ---	SCALE AS SHOWN	
	DRAWING NO. CPN-TVD 02	REV.NO. 0	

REVISIONS			
REV.	DATE	DESCRIPTION	BY

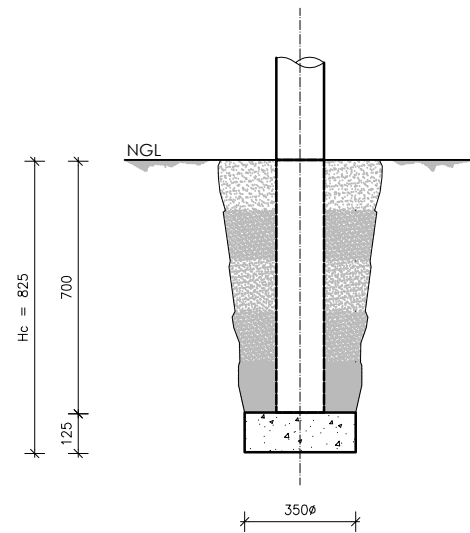




DETAIL 1: DECK FIXING DETAIL
SCALE | 1:25



TYPE 1 FOUNDATION:
POST IN AUGER HOLE SCALE | 1:25



TYPE 1 FOUNDATION:
POST IN AUGER HOLE SCALE | 1:25

PROJECT CAPE NATURE	DATE 05/08/2021	DESIGNED AS	DRAWN VB	REVISIONS			
	CHECKED BY AS/CM	DRAWING STATUS ---		REV.	DATE	DESCRIPTION	BY
TITLE TIMBER VIEWING DECKS	REFERENCE NO. ---	SCALE AS SHOWN					
	DRAWING NO. CPN-TVD 03	REV.NO. 0					



